



ASSEMBLY INSTRUCTION

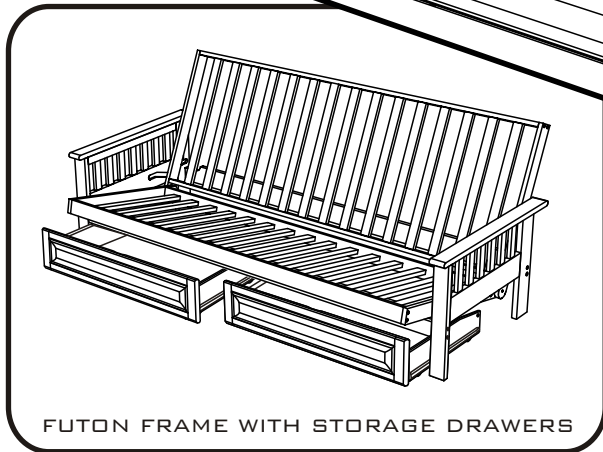
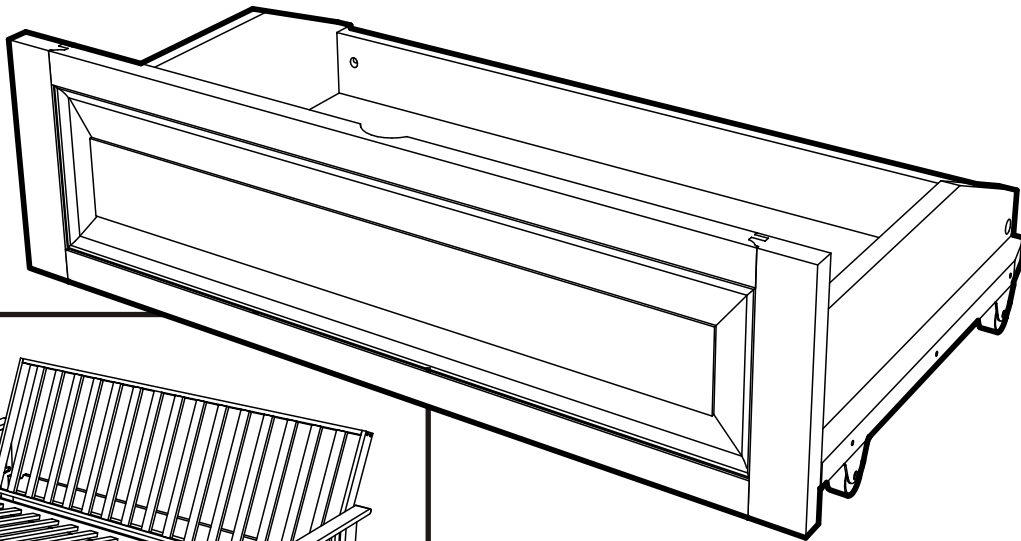
# FUTON ACCESSORIES

# DRAWERS

Instructions apply to all sizes:

Chair • Full / Double

Love seat • Queen

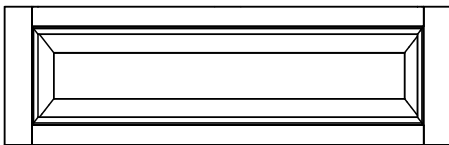


FUTON FRAME WITH STORAGE DRAWERS

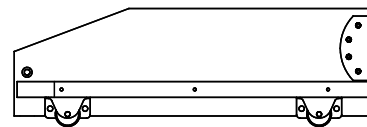
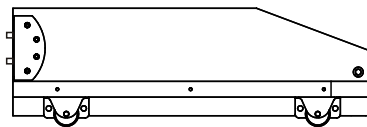


Assembling by Adult

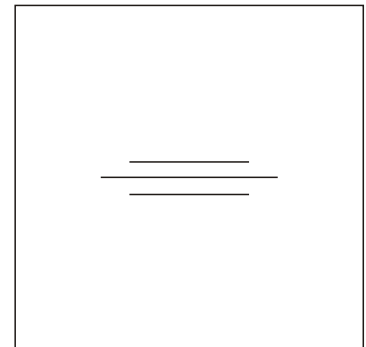
## 1A Parts in this box.



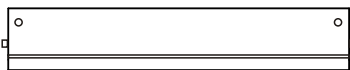
Drawer Face x 1 Piece



Side Panel x 2 Pieces



Drawer Base x 1 Piece



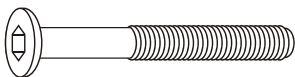
Back Panel x 1 Piece

### Note:

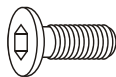
Note that the parts and Hardware shown are for Chair size.

For all other sizes, which have two drawers, there is double the quantity shown

## 1B Hardware in this box



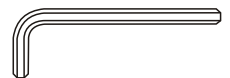
60mm Bolts x 2 pcs  
For the Side Rails and Back Leg.



16mm Bolts x 4 pcs  
For the Stretcher Bracket.

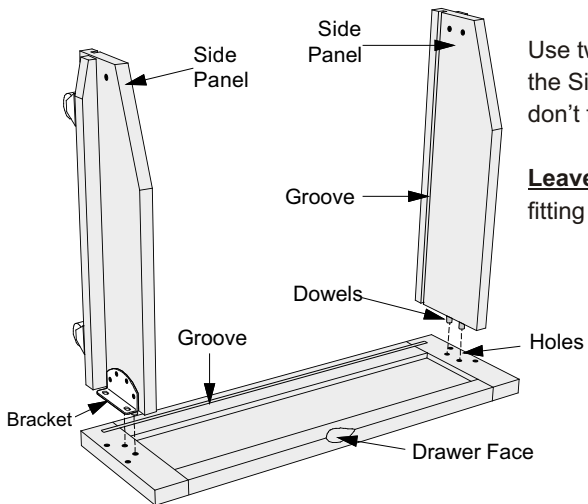


Barrel nuts  
x 2 pcs



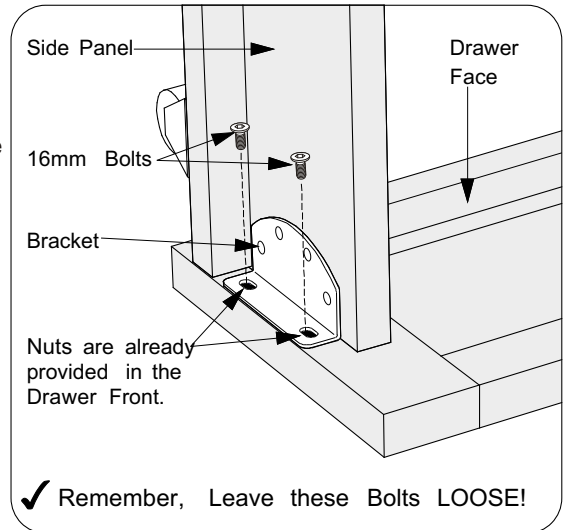
Allen Key  
x 1 pcs

## 2A Fit Side Panels onto Drawer Face.



Use two 16mm Bolts to attach the Side Panels in place, but don't fully tighten these yet.

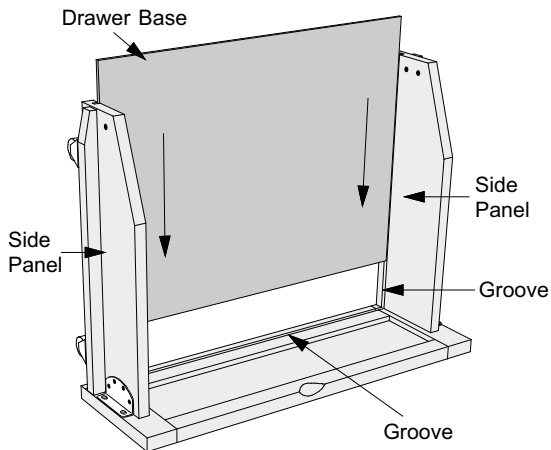
**Leave them abit loose**, to make fitting the Back Panel easier.



✓ Remember, Leave these Bolts LOOSE!

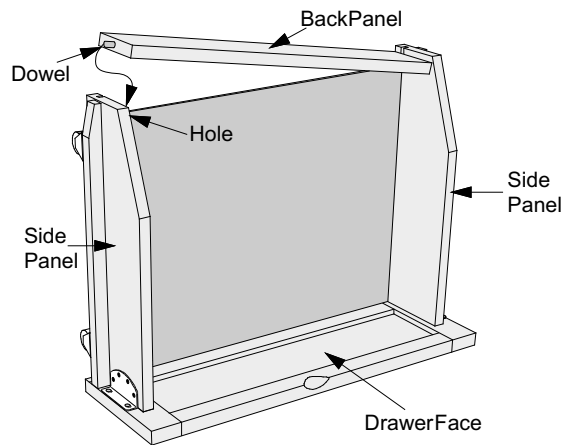
Lay the Drawer Face on smooth, flat surface so the holes and groove are facing upwards. Fit the Side Panels to the Drawer Face, fitting the dowels in the holes.

## 2B Fit Drawer Base.



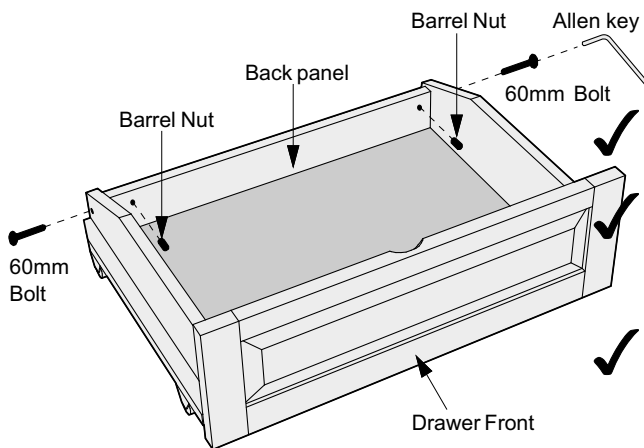
Guide the Drawer Base in carefully so that it won't jump out of its grooves. Be sure it fits fully into its groove at the bottom (in the Drawer Face) before fitting the Back Panel.

## 2C Fit Back Panel.



You will need to spread the Side Panels apart a bit to fit the dowels in the Back Panels into their holes. Do this gently, please! **Remember**, the Bolts in step 2 must be a bit loose. After this, tighten all the Bolts on the Drawer Face.

## 2D Bolt Back Panel in Place.

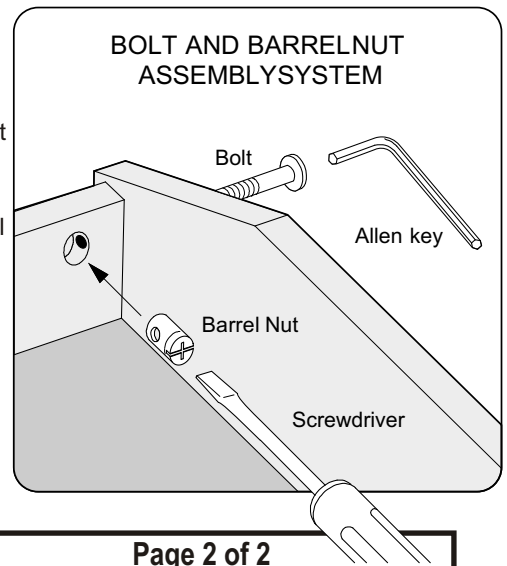


Be sure the holes are free of wood chips and saw dust

Insert Barre Nuts as shown using a screwdriver. This will help you position the Nut in line with Bolt.

Do not force the bolts as you may strip the thread. Be sure the thread is properly started.

Carefully turn the assembled Drawer down, onto its wheels. Using the 60mm Bolts and Barrel Nuts, secure the Back Panel in Place.



### BOLT AND BARRELNUT ASSEMBLY SYSTEM