



EMILY BUNK EXTENSION

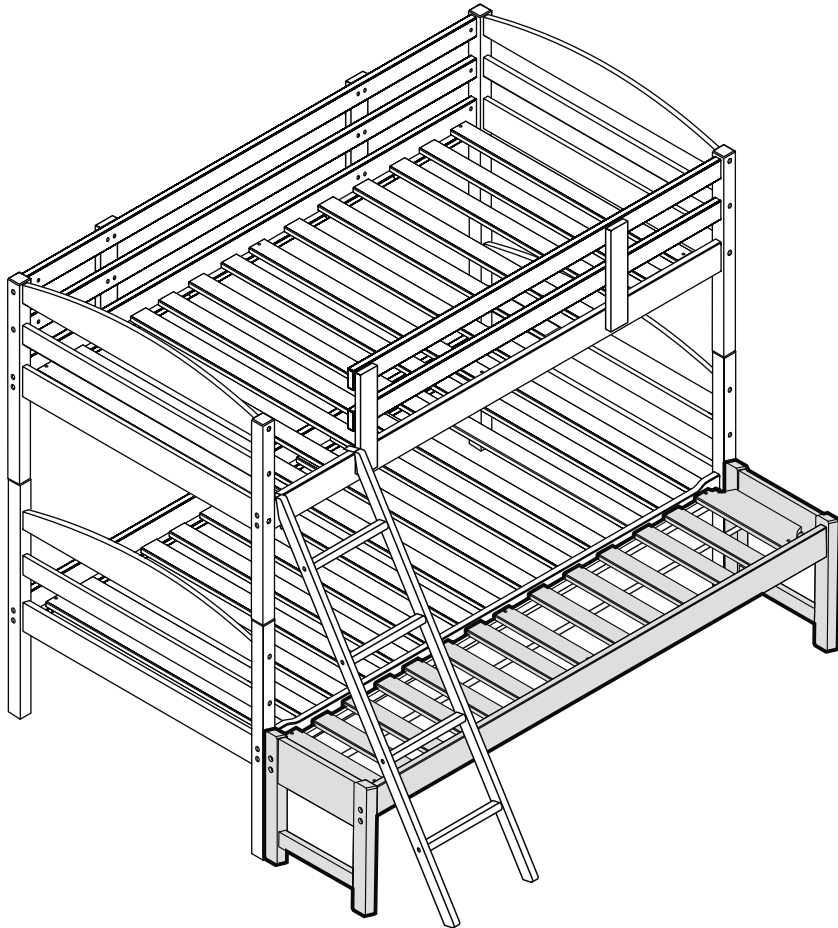
ASSEMBLY INSTRUCTIONS

Thank you for choosing our new bunk bed.

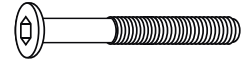
This practical design offers the utmost in versatility.

Before assembling your Bunk Extension, please read through these instructions carefully, familiarising yourself with the different parts.

Please note that you will require a Phillips head screwdriver and an Allen wrench (provided).



HARDWARE



A ALLEN BOLT M6 X 90mm
4 pcs



B CROSS DOWEL M6 X 13mm
4 pcs



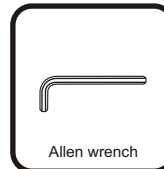
C WOOD SCREW 1 1/4"
8 pcs



D WOOD BUTTON
8 pcs



E ALLEN KEY
1 pcs



Allen wrench



Customer Supplied

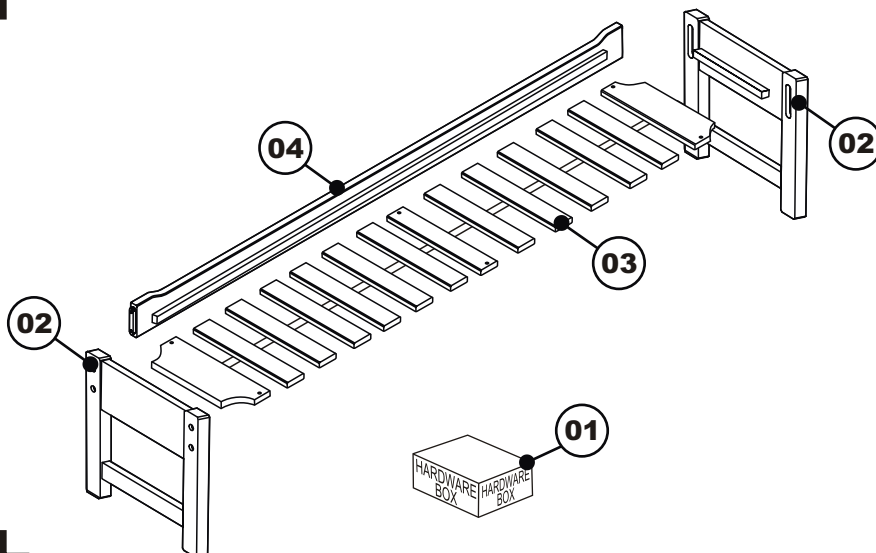
Phillips head screwdriver



Assembling by Adult

BUNK EXTENSION BED SHOWN SHADED

PART LIST



BOX 1 of 2

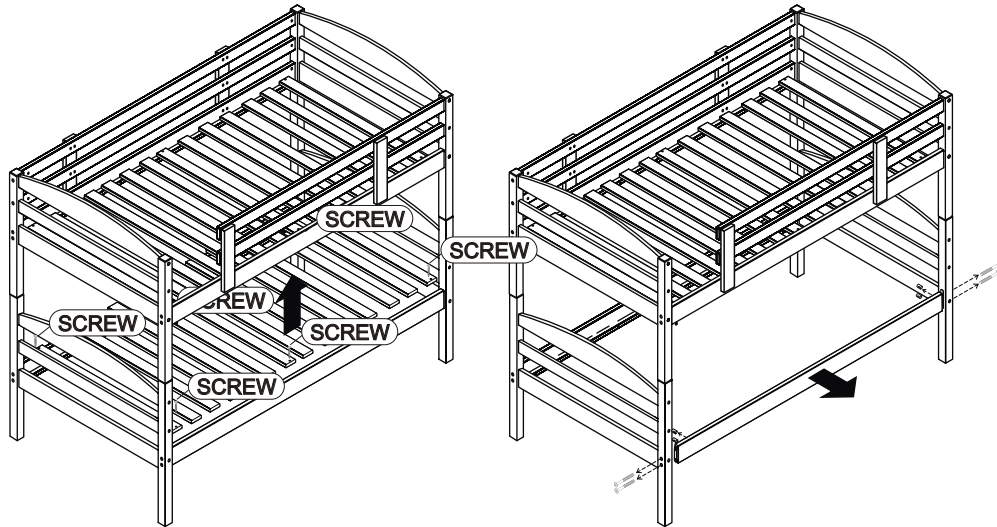
- 01** HARDWARE
- 02** LEGS
- 03** SLATS

BOX 2 of 2

- 04** LONG RAIL

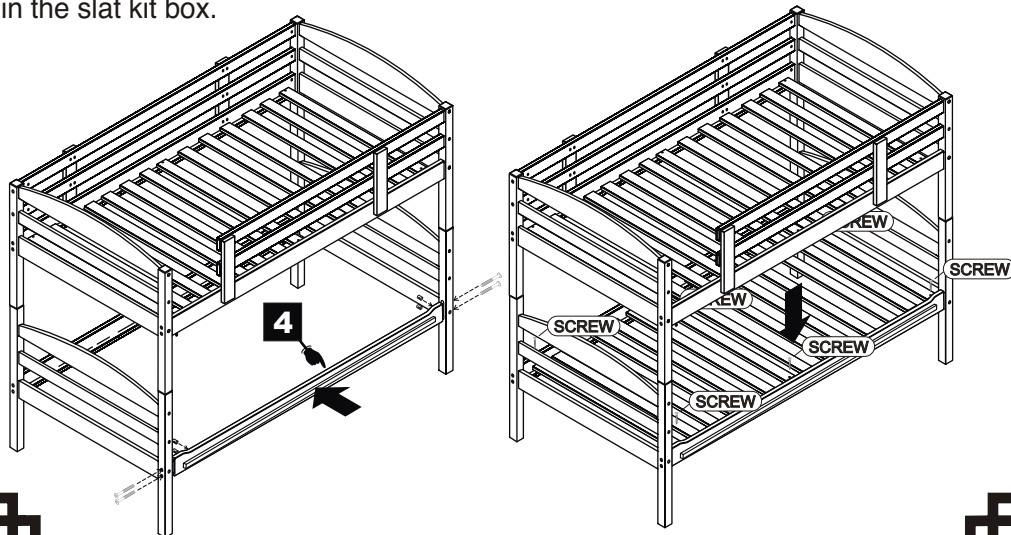
STEP 1

Remove the Lower Slat Kit & the Front Lower Siderail. Use Philips head screwdriver to loosen the slatkit screw & Allen Key to loosen the Allen Bolt, Cross Dowel.



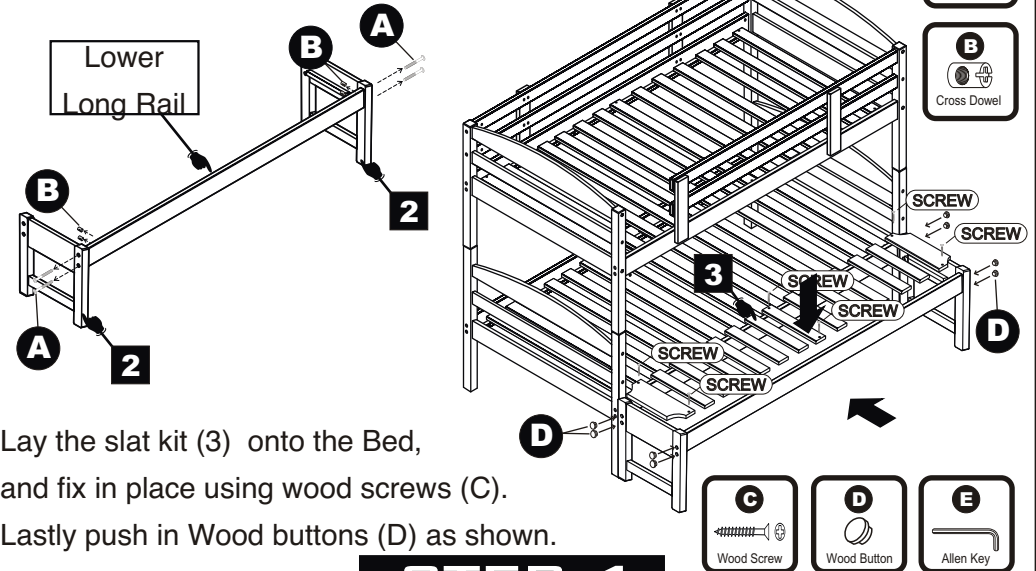
STEP 2

Attach the Extension rail (4) to the Left, Right Lower Panel assemblies as shown. Lay the Twin slat kit onto the Bed, and fix in place using wood screws provided in the slat kit box.



STEP 3

Attach Lower Long Rail to the Left, Right Extension Legs, assemblies as shown below. Using Allen Bolt (A) and Cross Dowel (B). Tighten with Allen Key (E).



Lay the slat kit (3) onto the Bed, and fix in place using wood screws (C).

Lastly push in Wood buttons (D) as shown.

STEP 4

Install The Bunk Extension assemblies & Ladder assemblies to the Bunk assemblies as shown below



Congratulations !

Your Emily bunk bed is now ready for use

We recommend that you recheck that all screws are tightened, and that all parts are secure before use and periodically to ensure safety.