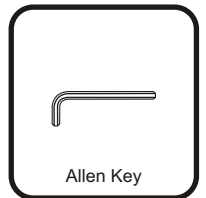
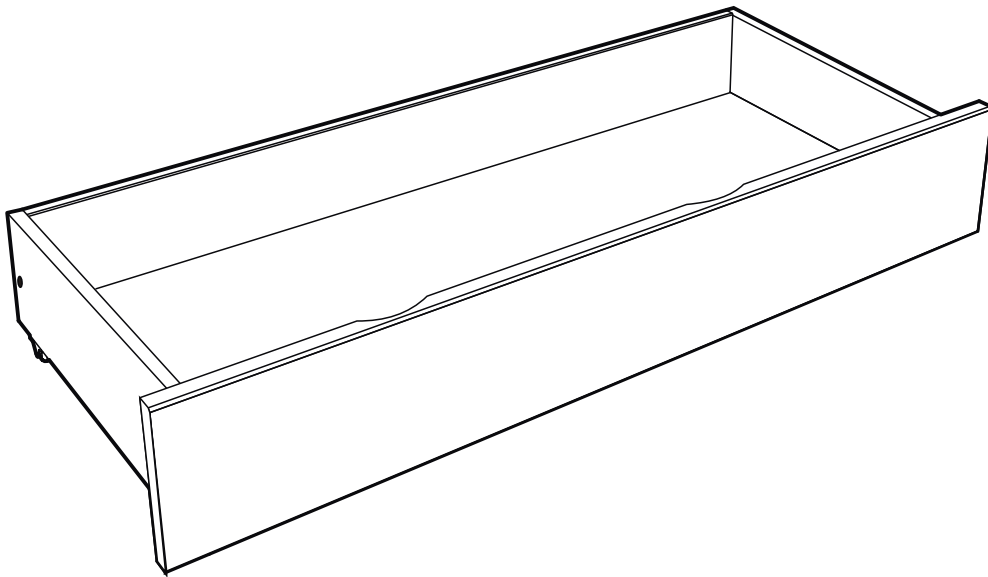




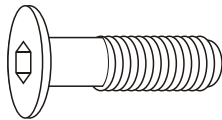
ELITE LOUNGER DRAWER

ASSEMBLY INSTRUCTIONS

Thank you for choosing our new Drawer. This practical design offers the utmost in versatility. Before assembling your Drawer, please read through these instructions carefully, familiarising your self with the different parts.

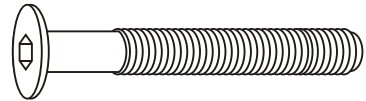


A



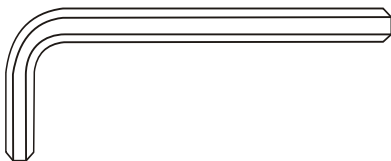
30 mm Allen Bolts - 4 pcs

B



60 mm Allen Bolts - 2? pcs

C



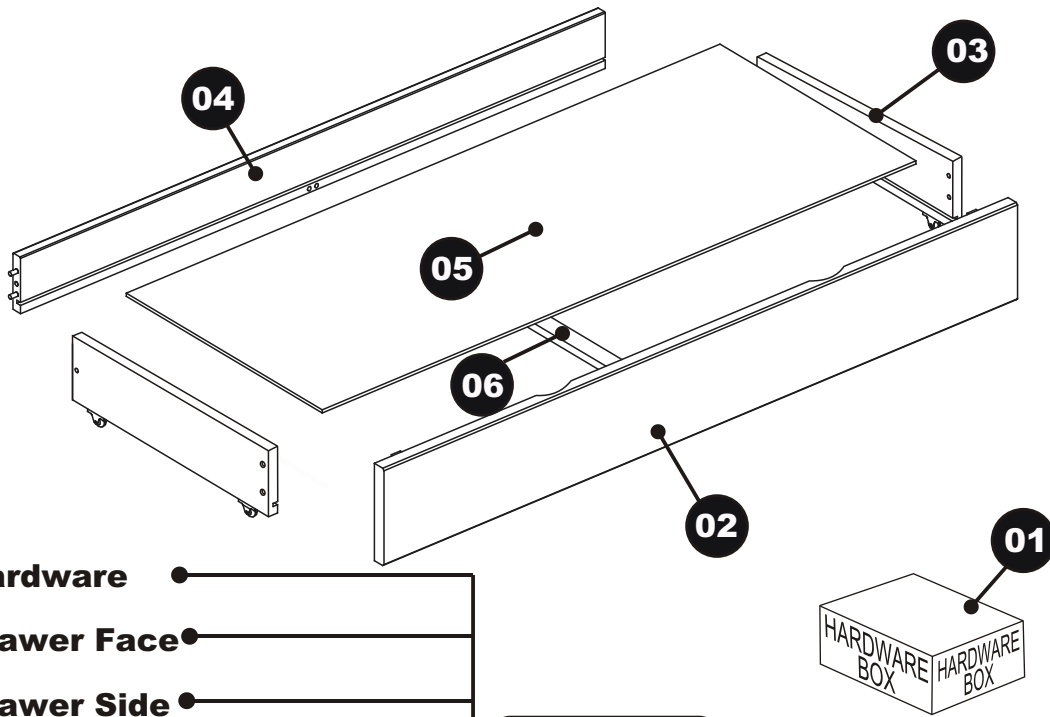
Allen Key - 1 pc

D



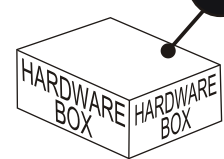
Barrel Nut - 2 pcs

PARTS LIST

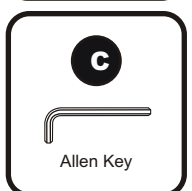
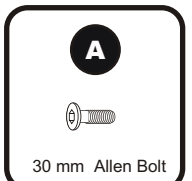
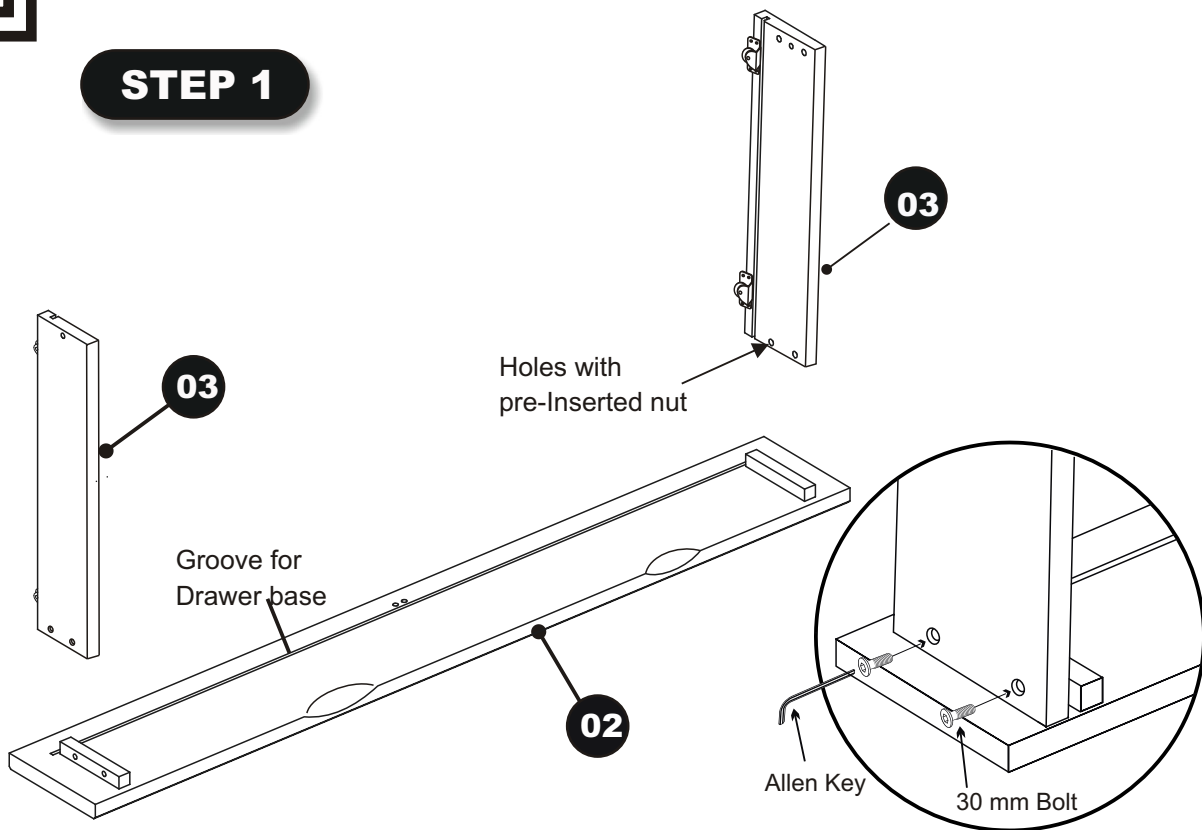


- 01 Hardware**
- 02 Drawer Face**
- 03 Drawer Side**
- 04 Drawer Back**
- 05 Drawer Base**
- 06 Drawer Brace**

2 BOX 2

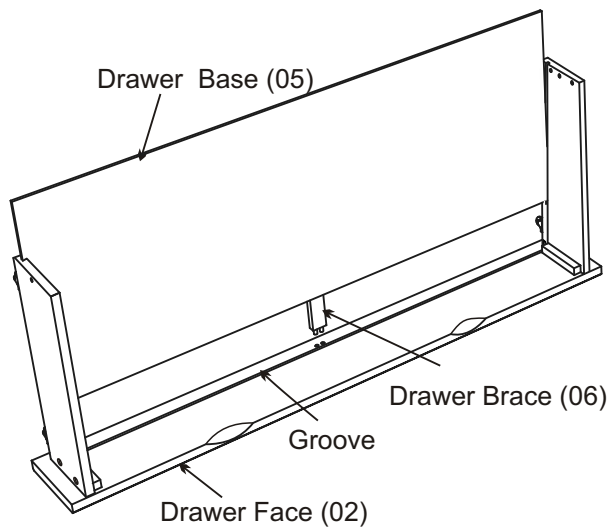


STEP 1



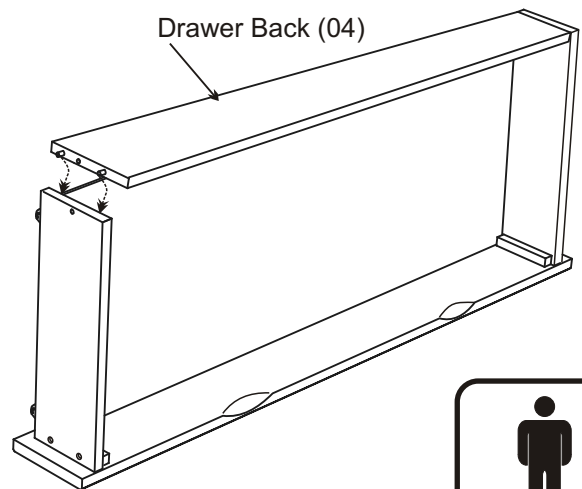
Lay the Drawer Face (02) on smooth, flat surface so the holes and groove are facing upwards.
 Fit the Drawer Side (03) on the Drawer Face (02) use JCB 30 mm (A) and Allen Key (C)
 to attach Drawer Side in place, but don't fully tighten these step yet.
 Leave them a bit loose to make fitting the Drawer Back easier.

STEP 2



Attach the Drawer Brace (06) into Drawer Face as shown.
Guide the Drawer Base (05) in carefully so that it won't jump out of the groove.
Be sure it fits fully into the bottom of the groove (in the Drawer Face) then attach the Back Panel (04)

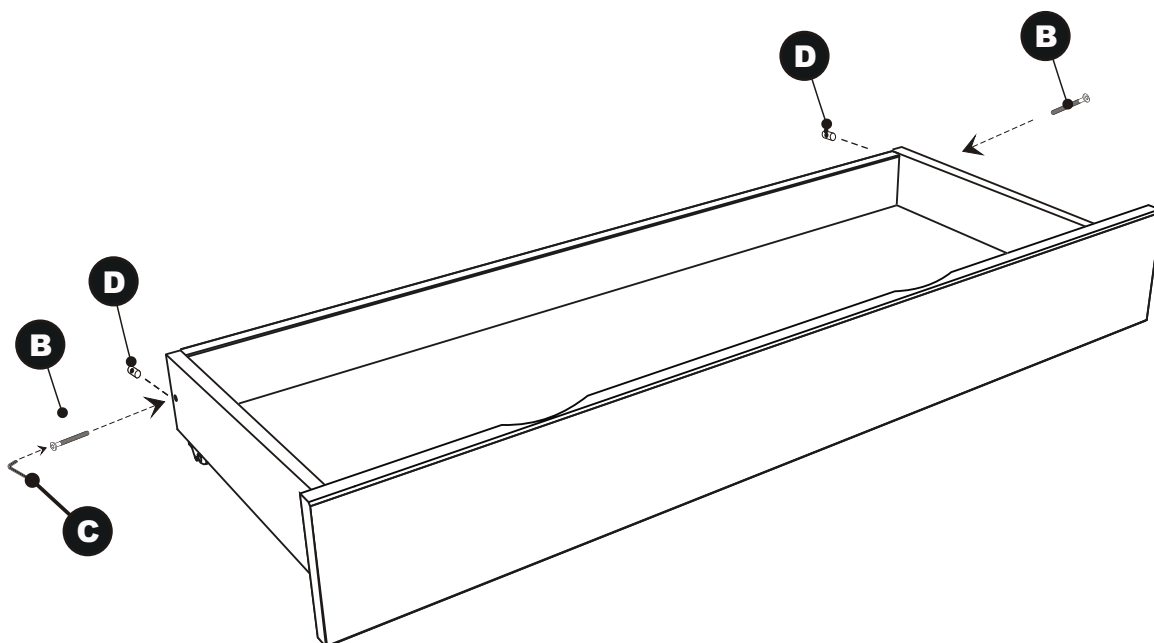
STEP 3



You will need to spread the Drawer side apart a bit to fit the dowels in the Drawer Back into their holes, Do this gently, please!
Remember the JCB in step 1 must be a bit loose.
After this, tighten all the JCB on the Drawer Face.



STEP 4



Carefully turn assemble Drawer down, onto its wheels, Using the JCB 60 mm (B) and Barrel Nut (D), tighten with the Allen Key (C).

