



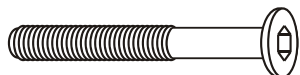
# ELITE LOUNGER



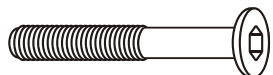
## ASSEMBLY INSTRUCTIONS

Before assembling your ELITE LOUNGER, please read through these instructions carefully, familiarising yourself with the different parts.

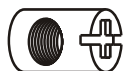
### HARDWARE



**A** BOLT M6 X 60mm - 8 pcs



**B** BOLT M6 X 50mm - 8 pcs



**C** BARREL NUT - 8 pcs



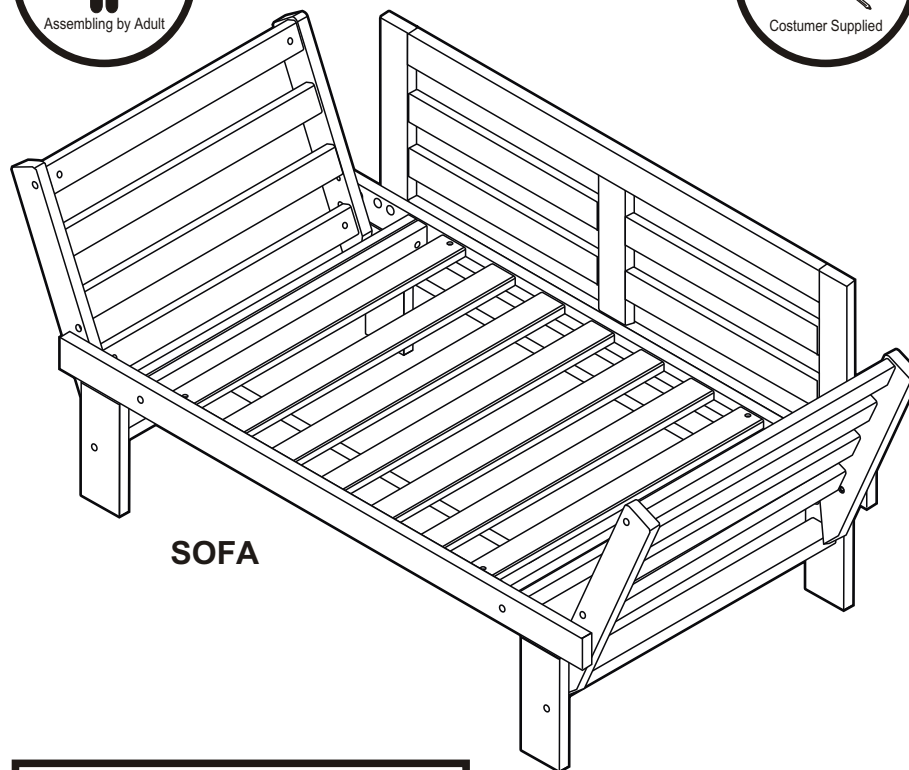
**D** WOOD SCREW - 4 pcs



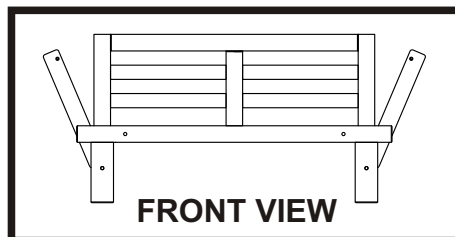
**E** WOOD BUTTON - 8 pcs



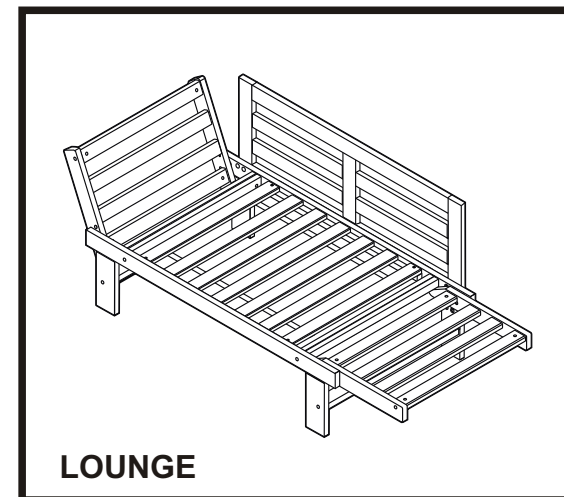
**F** ALLEN KEY - 1 pc



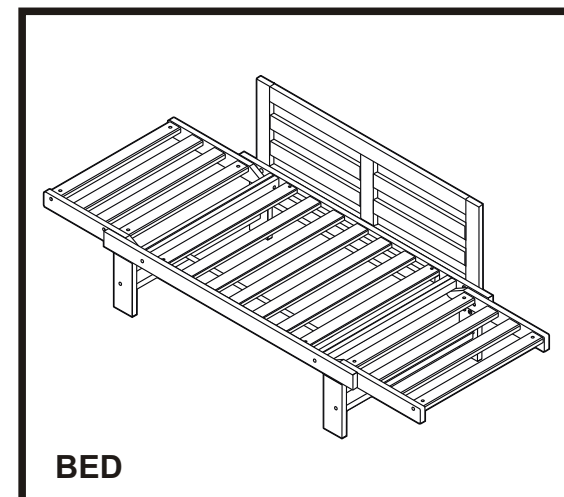
SOFA



FRONT VIEW



LOUNGE



BED

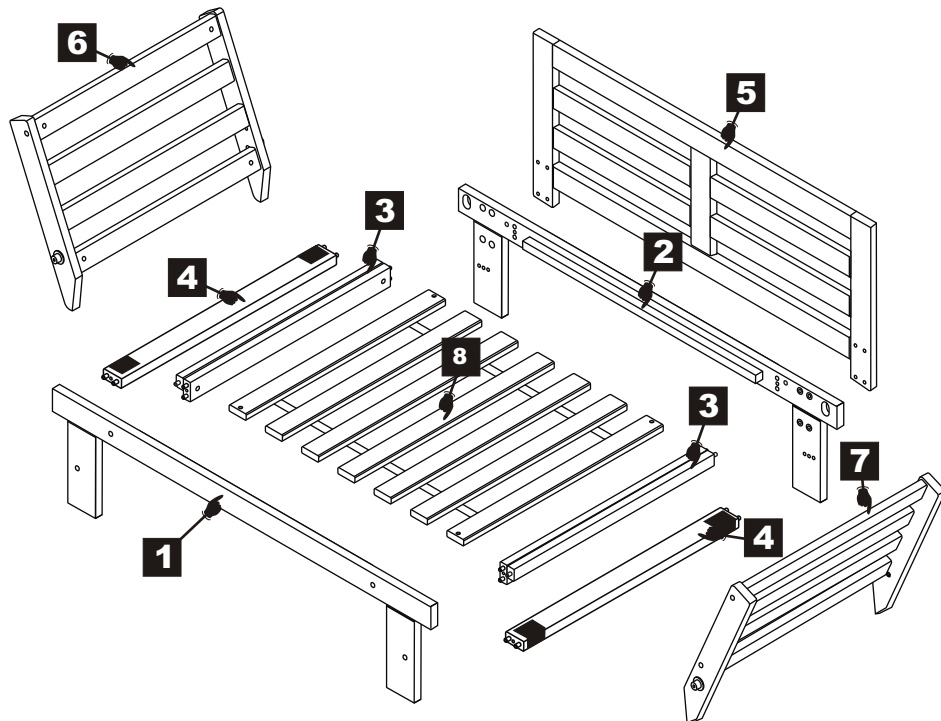
## PARTS LIST

**BOX 1 OF 2**  
HARDWARE 1 BOX

<b>1</b>	<b>FRONT LEG</b>	-----	<b>1 PC</b>
<b>2</b>	<b>BACK LEG</b>	-----	<b>1 PC</b>
<b>3</b>	<b>SIDE RAIL</b>	-----	<b>2 PCS</b>
<b>4</b>	<b>STRETCHER</b>	-----	<b>2 PCS</b>
<b>5</b>	<b>BACK REST</b>	-----	<b>2 PCS</b>
<b>6</b>	<b>LEFT ARM RAIL</b>	-----	<b>2 PCS</b>
<b>7</b>	<b>RIGHT ARM RAIL</b>	-----	<b>2 PCS</b>

**BOX 2 OF 2**

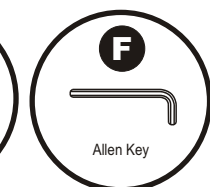
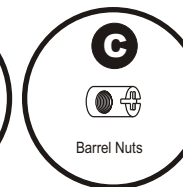
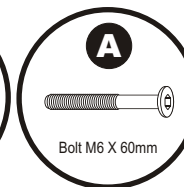
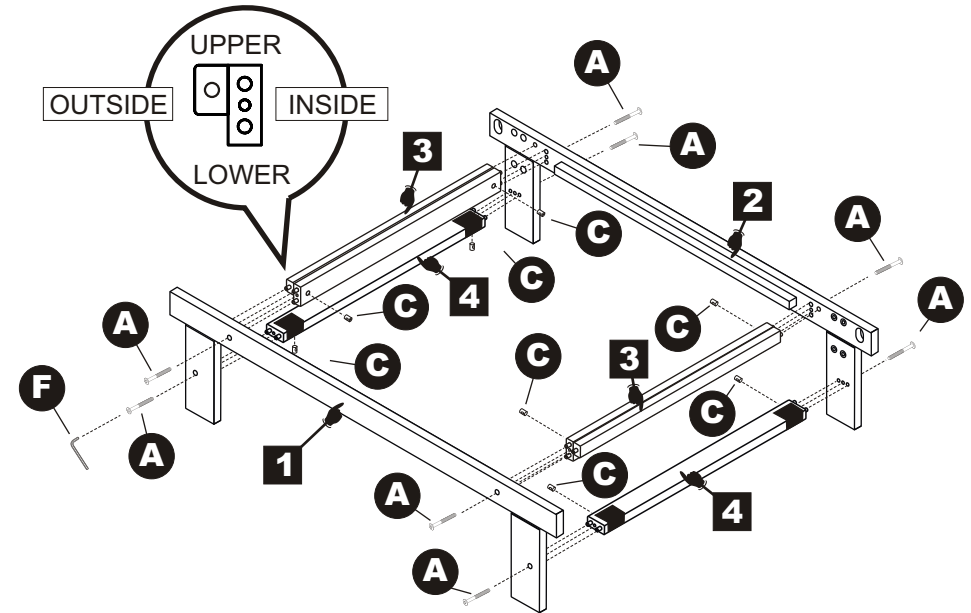
<b>8</b>	<b>SLAT</b>	-----	<b>1 PC</b>
----------	-------------	-------	-------------



ELITE LOUNGER

## STEP 1

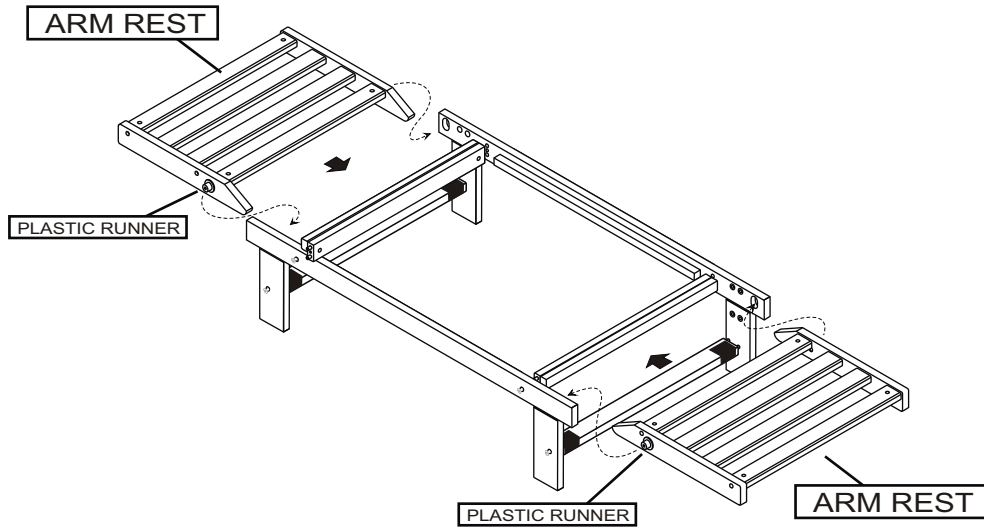
Attach Side Rails (3) and the Stretcher (4) to the Front, Back Legs(1)(2) as shown. Using Bolts (A) and Barrel Nuts (C).  
Do not tighten the Bolts at this stage.



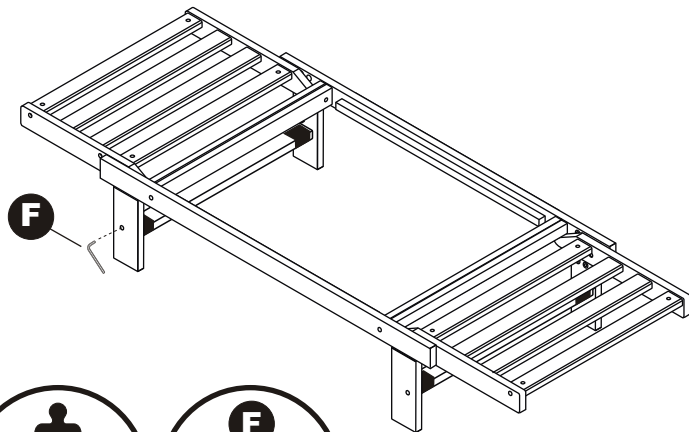
Page 2 of 4

## STEP 2

Insert the Arm Rest into the locator hole will receive Plastic Runner.  
Insert one end first, then gently the other end into position.  
Be sure all joint must be left loose.

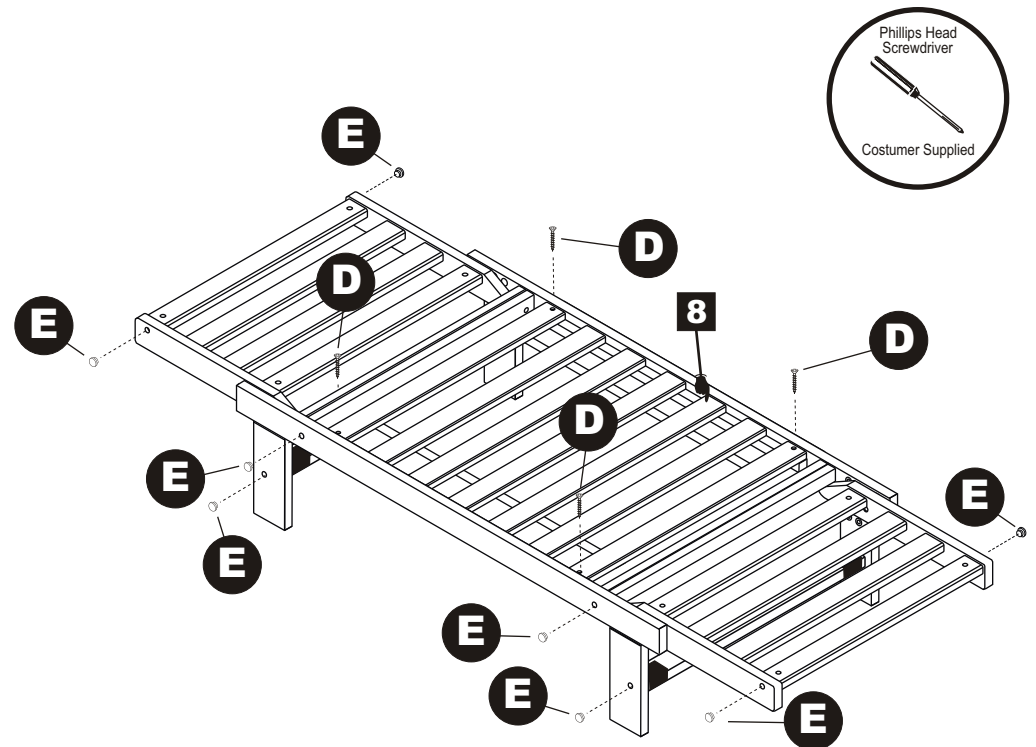


When you have the Arm Rest fitted, tighten all the Bolts as shown below.

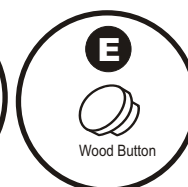
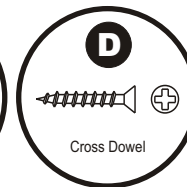


## STEP 3

Lay the Slat (8) onto the Bed Assembled as shown. Using Wood Screw (D),  
tighten with Phillips Head screwdriver ( Customer Supplied ).

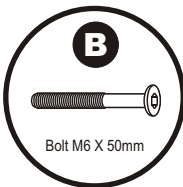
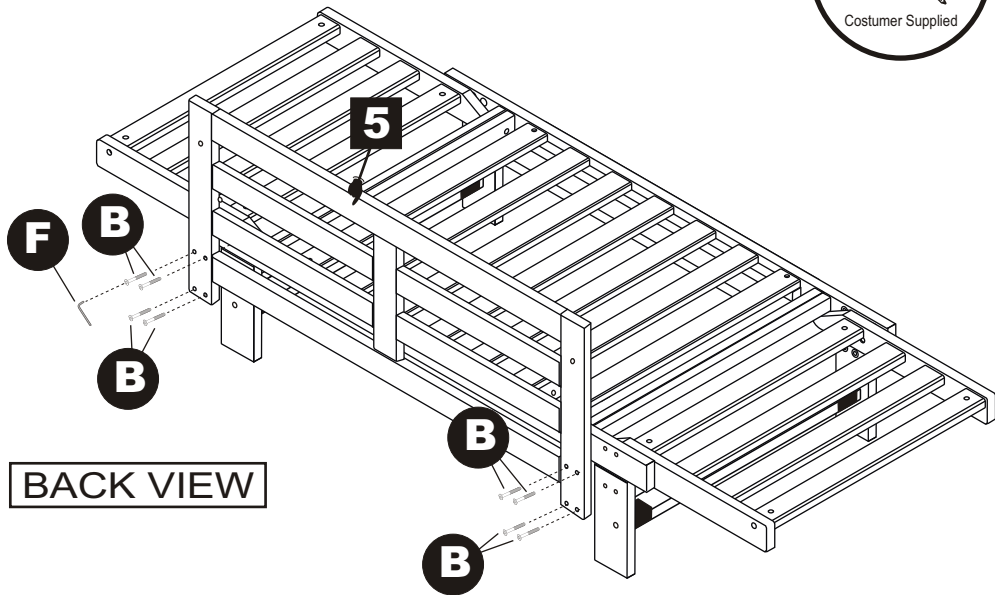


For cover hole, push Wood Button (E) as shown below.

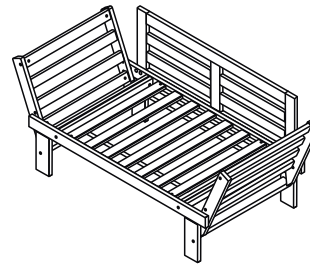


## STEP 4

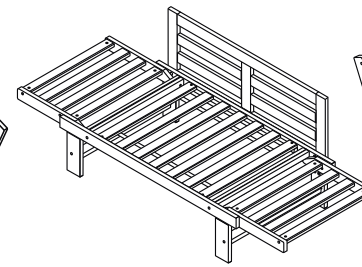
Lastly, attach the Back Rest (5) to the Bed as shown. Using Bolts (B), tighten with Allen Key (F).



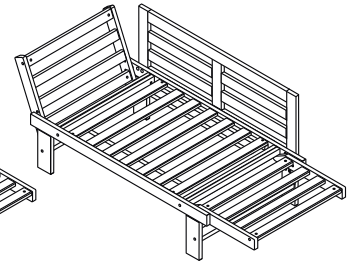
## OPERATING INSTRUCTION



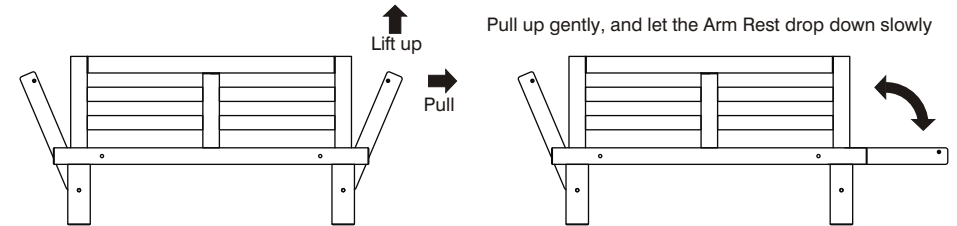
Sofa position.



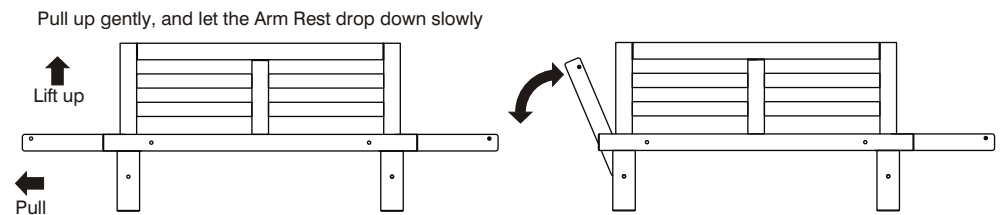
Bed position.



Lounge position.



Sofa to Lounge position.



Lounge to Bed position.

Your Elite Lounger is now ready for use.

We recommend that you recheck that all screws are tightened.